

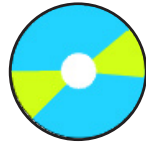


CD-ROM and DVD Duplication mini production < 300

no packaging required

we need a different configuration

CD/DVD label print



no label print



Label print
1-2 colours or
< 35% coverage

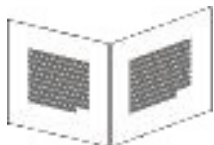


Label print
3-4 colours or
> 34% coverage

Printed matter for Jewel/DVD Box



Booklet 4-colours



inside 0 or 1 colour



Inlay, 4-col. print
(back card for jewel
box)

Attention: add 3-5 days for completion
of printed matter



Jewel Box black tray



Jewel Box
transparent tray



SlimBox 5mm
transparent



Jewel Box/SlimBox
cellophane wrapped



Trigger Box



DVD Box black



DVD Box transparent



plain paper envelope
with clear window



transparent PVC
envelope, no print

Cost calculator for the production of your CD-ROMs and DVDs in small quantities (<300). The contents you supply ready to be reproduced is burned (copied) on CD and the surface is inkjet printed at 4800 DPI on white background. Booklets and inlays are printed on colour laser equipment.

Quantities over 300 are pressed at the factory using a glass master and the CD/DVD surface is either screen or offset printed, booklets and inlays are offset printed. Please ask for an offer or consult the CD-CALC.PDF form which you can download from our site at <http://www.bizgraphic.ch>.

The indicated costs for packaging include insertion of the CDs. Prices shown are in CHF without VAT and without transport.

Authors' corrections, modification of graphics and interventions on the contents are invoiced separately at CHF 2.50/min.

We accept graphics for the printed matter only in electronic format: *.PDF (x3), *.AI, *.INDD, *.EPS, *.TIF, *.JPG, *.GIF - min. 300 DPI. Please refer to the layout specification in the annex for the correct placement of crop marks and respect the minimum bleed of 3mm for pictures and coloured backgrounds.

Term of delivery: 1 - 3 working days subject to available capacity. Express deliveries possible, surcharge 25%.

please make us an offer
for the label design

CD content < 300 MB

CD content > 299 MB

CD raw - print only

DVD cont.max 4.7 GB

CD-ROM/DVD
order quantity

Cost pe unit

Total cost of
this order

Table of contents and
content packaging by
Bizgraphic

CHF Cost w/o VAT & transport
and w/o any intervention.



CD-ROM and DVD Duplication mini production < 300

**BIZGRAPHIC**
Content packaging and CD-making
Bizgraphic, Geneva
A 81, ch. de la Seymaz
V 1253 Vandoeuvres
T 022 860 0182
F 022 860 0183
E cdorder@bizgraphic.ch
W www.bizgraphic.ch

Order Form

Order Details:

Purchase Order nbr. Date

Name First
Company
Address
City P-Code Country
Telephone Fax e-mail

Ship to (if different from above)

Name First
Cpmany
Address
City P-Code Country

Content will be ready by:

Comments

for other multimedia solutions and ideas on what you could put on a CD check out our web site

<http://www.bizgraphic.ch>

how to submit your order:

print this form and send it together with your content on a CD-R to Bizgraphic, ch. de la Seymaz 81, 1253 Vandoeuvres or

if you have Acrobat (not the Reader): save the file and send it per e-mail to cdorder@bizgraphic.ch and transfer your data to our FTP site.

Please contact us regarding a content packaging project (navigation, interactive table of contents, bookmarks etc.)

We would like to discuss a presentation project, a special multimedia application or a custom programming job with you.



CD-ROM and DVD Duplication mini production < 300

FTP Instructions

to send very large files to Bizgraphic for CD-ROM production: upload them to our FTP (File Transfer Protocol) server.

A) direct access via Browser (e.g. Internet Explorer vers. 5.0 or newer or FireFox with IView extension*):

1. Open your Internet Browser
2. copy/paste the following line into the address bar and hit ENTER

<ftp://dataexchange@bizgraphic.ch:biz8600182@ftp.bizgraphic.ch>

3. Open the FTP program with above parameters and drag your files with the mouse from Windows Explorer (PC)* or Finder (MAC)** into the new Browser Window
4. then please alert us by e-mail: cdorder@bizgraphic.ch

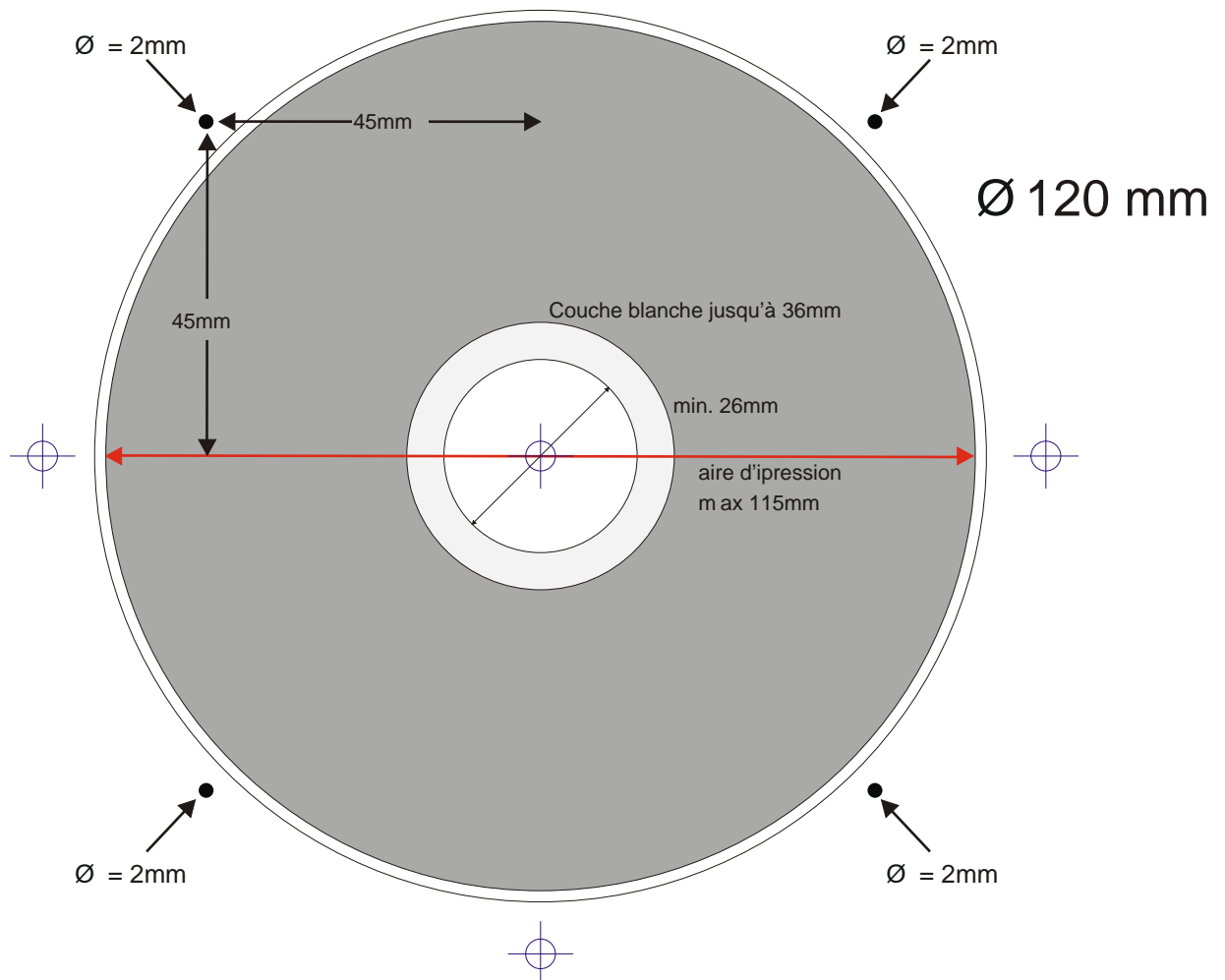
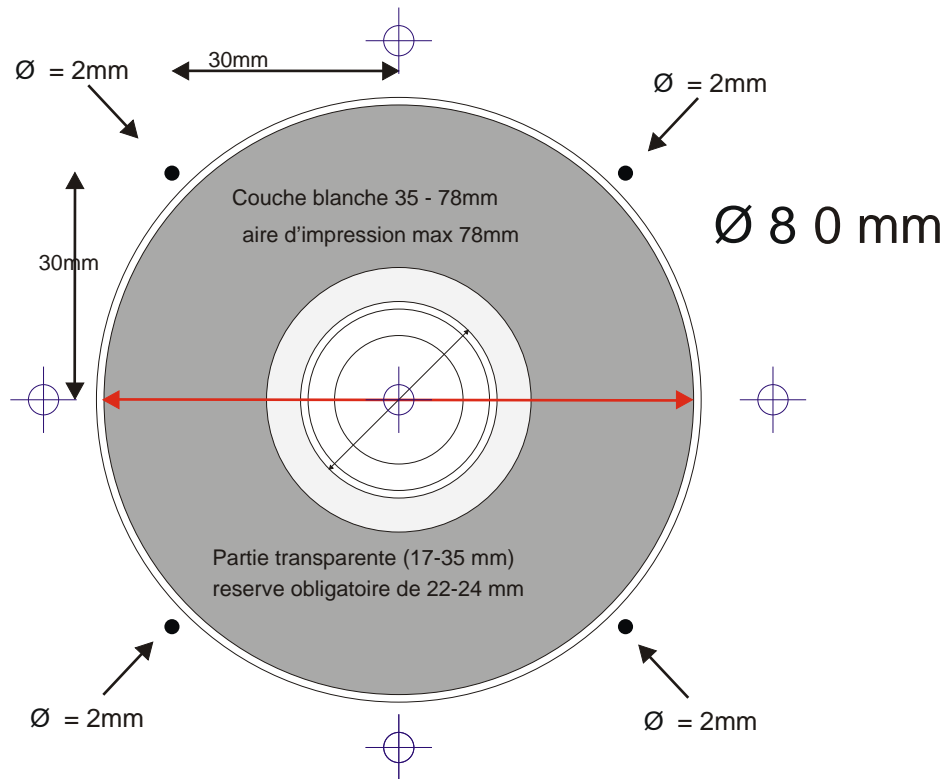
or


B) **use an FTP client** (such as WS-FTP or Fetch):

Host: <ftp.bizgraphic.ch>
user ID: dataexchange@bizgraphic.ch
password: [biz8600182](#)

avertissez-nous s.v.p après le transfert par téléphone ou par e-mail: cdorder@bizgraphic.ch

* currently not possible with certain versions of Firefox or Safari under MAC OSX/Panther - use an FTP client program instead (see under B above) or switch to Internet Explorer or Netscape.



 = aire d'impression

● = points de repères de 2mm (aident à monter les films automatiquement)
Placement précis à 45mm (30mm pour les petits) du centre dans les quatre sens.

Livret/Booklet (4p, 4/1 couleurs)

242 mm



120 mm



Page 4

Page 1

4 couleurs

ajoutez 3-5mm débordement pour les images franc bord

242 mm



120 mm



Page 2

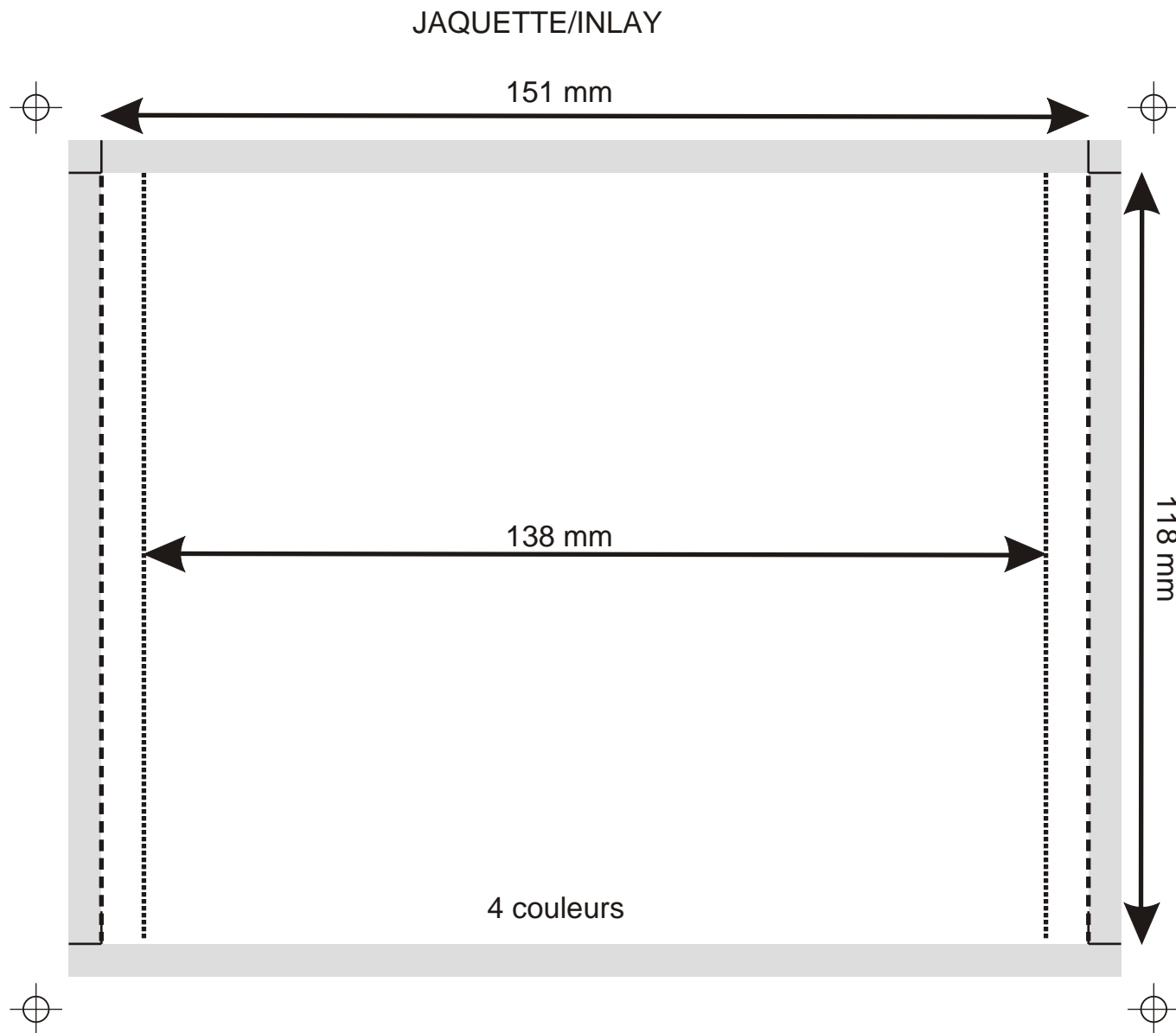
Page 3

1 couleur



= 5 mm découpe

Echelle 1:4



 = 5 mm découpe  = perforation

ajoutez 3-5mm débordement pour les images franc bord